

WDI1L Drop-in Anchor Lipped

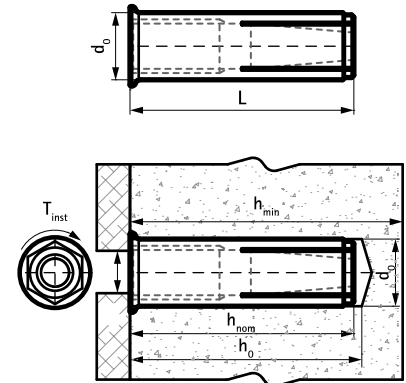
(L 03 10)

standard drop-in anchor with a lip collar



Features and Benefits

- simple and quick installation procedure
- collar with a lip for flush anchor setting at any hole depth
- medium load capacity
- material: steel
- zinc plated
- ETA ETAG001 Part 6 approval for multiple use for non-structural applications
- fire resistance class R30-R120 for design of anchorages under exposure to fire (M8-M16)
- substrate type:
 - cracked concrete
 - non-cracked concrete



Part No.	Code	Size	L	d ₀ (mm)	h ₀ (mm)	h _{min} (mm)	h _{nom} (mm)	Rec. Tension Load C20/25 Concrete (kN)	Pack 1	Pack 2
6103106	WDI1L 6x25	M6	25 mm	8	≥ 30	80	≥ 25	0.52*	100	600
6103108	WDI1L 8x30	M8	30 mm	10	≥ 32	80	≥ 30	1.02*	100	600
6103110	WDI1L 10x40	M10	40 mm	12	≥ 42	80	≥ 40	1.55*	50	500
6103112	WDI1L 12x50	M12	50 mm	15	≥ 53	100	≥ 50	2.19*	50	300
6103116	WDI1L 16x65	M16	65 mm	20	≥ 70	130	≥ 65	4.53*	25	150

* Recommended loads: are stated for multiple use for non-structural applications according to ETAG001, Part 6; apply to anchors correctly installed at maximum embedment depth; include partial safety factor and an overall partial safety factor for action of 1.4.

The partial safety factor for action depends on the type of loading and shall be taken from national regulations. All anchor failure modes and the entire relevant product European Technical Assessment must be considered for anchor design.

For more information, please refer to the ETA report.

Complementary

- WDI1 Setting Tool
- WIS Brush
- WIS Blow Pump

Complementary

- WDI1 SD Stop Drill Bit
- WSDS+ 3CE Concrete Drill Bit