

# WCP Cavity Plug

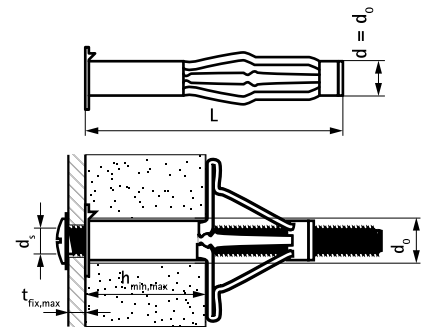
(L 07 25)

metal anchor with screw for cavity walls



## Features and Benefits

- high load capacity and security
- usable with various screwdriver bit types
- Application:
  - shelves
  - wall-mounted cabinets
  - sanitary fixings
  - HVAC and plumbing fixings
- material: steel
- zinc plated
- substrate type:
  - hollow masonry
  - chipboard
  - plasterboard



Part No.	Code	L	d <sub>0</sub>	d <sub>s,m</sub>	h <sub>min,max</sub>	t <sub>fix,max</sub>	Drive	Rec. Tension Load Vertically Perforated Brick (Hz 12)	Rec. Tension Load Cement Fiberboard (h=12mm)	Rec. Tension Load Chipboard (h=13mm)	Rec. Tension Load Plasterboard (h=12.5mm)	Pack 1	Pack 2
			(mm)	(mm)	(mm)	(mm)		(kN)	(kN)	(kN)	(kN)		
610 5 400	WCP 4x35	35 mm	8	M4	4 - 9	16	Philips	-	0.35	0.20	0.15	100	1,200
610 5 501	WCP 5x37	37 mm	10	M5	5 - 13	20	Philips	-	0.40	0.25	0.18	100	1,200
610 5 502	WCP 5x50	50 mm	10	M5	5 - 18	26	Philips	-	0.40	0.25	0.18	100	900
610 5 601	WCP 6x37	37 mm	12	M6	4 - 13	16	Philips	0.70	0.42	0.28	0.20	100	900
610 5 603	WCP 6x63	63 mm	12	M6	16 - 32	28	Philips	0.70	0.42	0.28	0.20	100	300

*Given recommended loads include a safety factor of 3.*