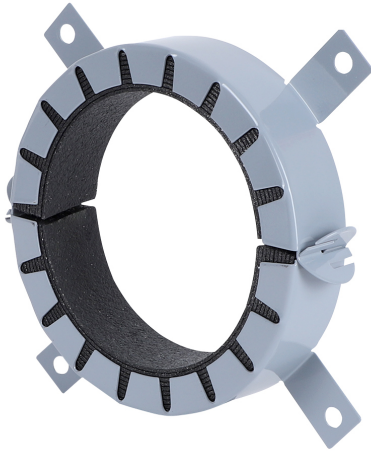


Pacifyre® AWM II Fire Collar

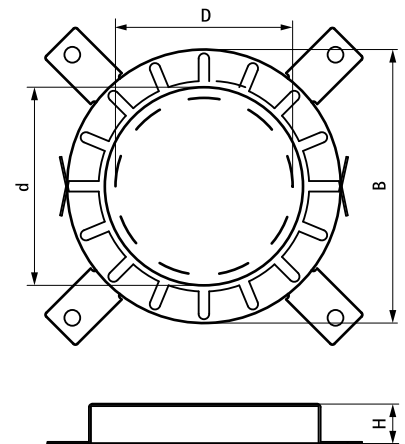
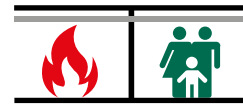
(U 04 30)

for sealing of insulated or non-insulated flammable pipes and multi-layer pipes 32 - 400 mm



Features and Benefits

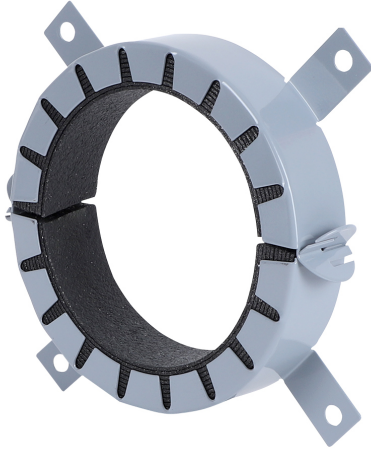
- built-up fire collar for plastic (combustible) pipes and pipe systems. For apertures in walls (solid walls or light partition walls) and ceilings with fire protection in accordance with UK Legislation
- the installation of elbows, pipe couplings or branch pipes into the wall or directly in, or under the ceiling is possible due to the superficial height of the sleeve
- angular insertion is possible
- installation of telecommunications pipeline- or protective piping with up to 2 cables is possible
- suitable for damp conditions
- should be fitted to both sides of a wall and on one side below a ceiling
- flexible annular gap seal
- the use of PE noise insulation hose up to a thickness of 4 mm of composite natural rubber insulation to a thickness of 43 mm is allowed
- offset installation of sleeve is permitted
- build in is possible without additional fixings (by simply bending and sliding the fixing tabs)
- zero distance is possible between fire collars
- in approval with the German Institute for civil engineering (DIBt) in accordance with Z 19.17-1194 and monitored by the MPA Braunschweig, Germany
- European approval: ETA-13/0906



Pacifyre® AWM II Fire Collar

(U 04 30)

for sealing of insulated or non-insulated flammable pipes and multi-layer pipes 32 - 400 mm



2134225225	225	239	10 fixing tabs	328	50	1
2134250250	250	264	10 fixing tabs	353	50	1
2134280280	280	289	12 fixing tabs	378	50	1
2134300300	300	314	12 fixing tabs	403	50	1
2134315315	315	328	12 fixing tabs	417	50	1
2134355355	355	364	12 fixing tabs	453	50	1
2134400400	400	414	12 fixing tabs	503	50	1

