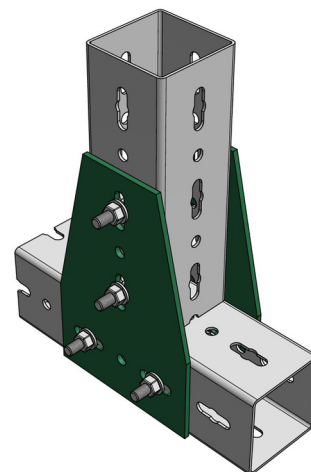


Maxx T-Connector

for perpendicular connecting profiles

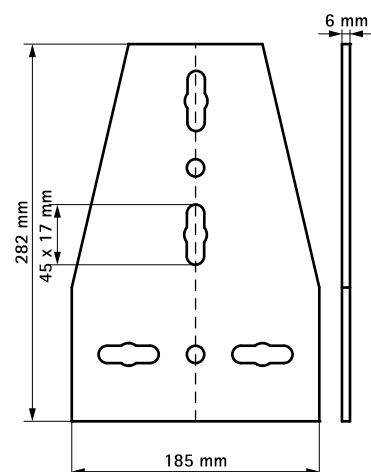
(H2 05 35)



Features and Benefits

- for perpendicular connection to Heavy Rail Profiles
- to aid fabrication with Heavy Rail Profiles
- easy fitting due to rounded edges
- material: steel
- hot dip galvanized

Part No.	Type	Pack 1
6589901	IPTC	1



Complementary
 Maxx Heavy Rail Profile
 Maxx Hammerfix