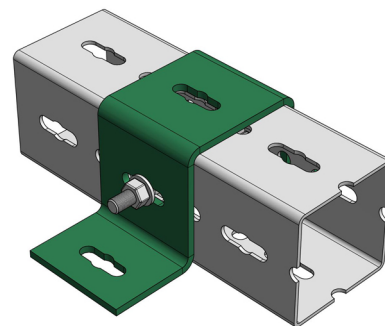
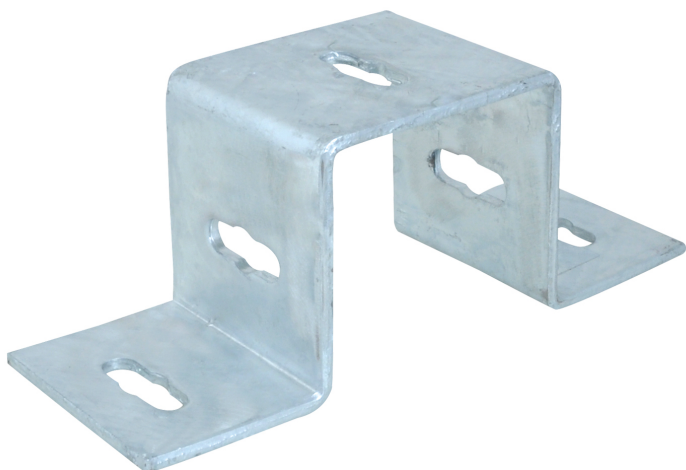


Maxx Cross Connector

for cross connecting profiles

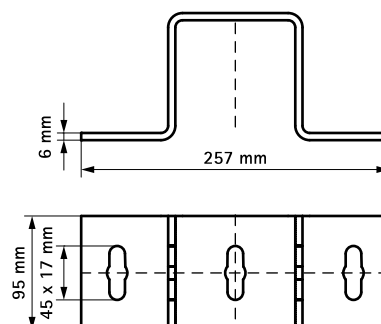
(H2 05 50)



Features and Benefits

- to aid fabrication with Heavy Rail Profiles
- material: steel
- hot dip galvanized

Part No.	Type	Pack 1
6589101	IPCC100	1



Complementary
 Maxx Heavy Rail Profile
 Maxx Hammerfix