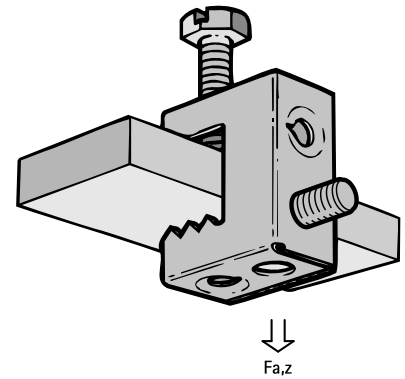
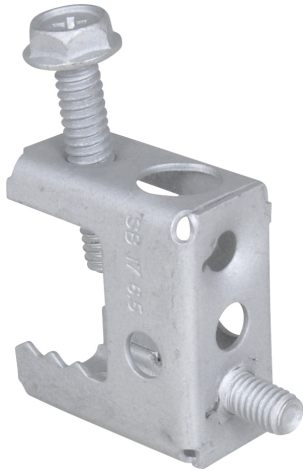


# Britclips® SB M6 x 9

for flange 2 - 17 mm

(J 15 35)



## Features and Benefits

- for a solid fixing to steel construction without the need for welding or drilling
- with horizontal stud bolt M6 x 9 mm for fixing of clamp, conduit junction box, etc.
- material: spring steel (type C67S according to EN10132)
- surface treatment: Delta-Tone 9000 (480 hours)

Part No.	Code	A (mm)	R	d1 (mm)	d2 (mm)	F <sub>a,z</sub> (N)	Pack 1	Pack 2
5352 0 617	SB17 M6x9	2 - 17	M6	6.5	11	550	100	400

*For use with static loads only.*

