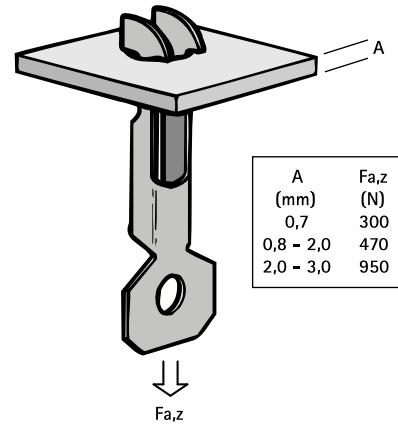


Britclips® RD

for ceilings

(J 30 05)

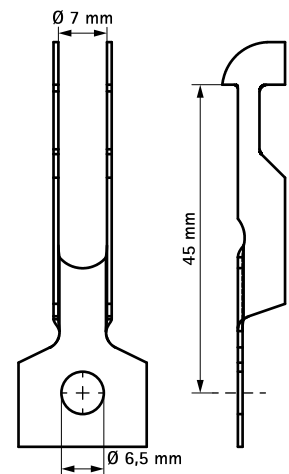


Features and Benefits

- for fixing to roofing sheets
- with fixing hole (Ø 6.5 mm) to fix S-hook, bolt/nut, etc.
- material: spring steel (type C67S according to EN10132)
- surface treatment: Delta-Tone 9000 (480 hours)

Part No.	Code	d1 (mm)	Pack 1	Pack 2
54020000	RD	6.5	100	500

*For use with static loads only.
Safe load dependent on thickness of roof sheet.*



Complementary
BIS S-Hook
BIS Chain (DIN 5685)