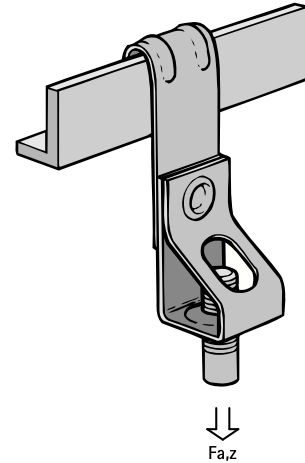


# Britclips® PHV ICT

for vertical flanges 1 - 7 mm

(J 40 60)

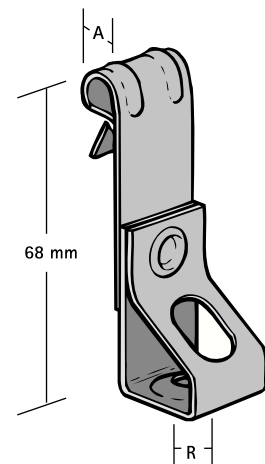


## Features and Benefits

- for fixing to vertical flanges
- with threaded rod holder (rod height adjustable by screwing)
- material: spring steel (type C67S according to EN10132)
- surface treatment: Delta-Tone 9000 (480 hours)

Part No.	Code	A (mm)	R	F <sub>a,z</sub> (N)	Pack 1	Pack 2
57420605	PHV5 ICTM6	1 - 5	M6	650	100	400
57420805	PHV5 ICTM8	1 - 5	M8	700	100	400

*For use with static loads only.*



**Complementary**  
Walraven Stud Bolt  
Walraven Threaded Rod