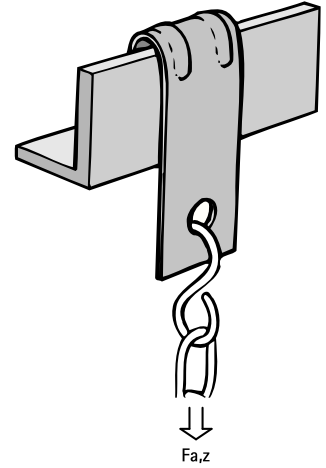


Britclips® PHV

for vertical flanges 1 - 7 mm

(J 40 50)

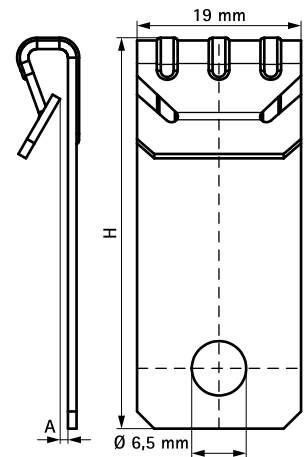


Features and Benefits

- for fixing to vertical flanges
- with fixing hole (Ø 6.5 mm) vertical to fix S-hook, bolt/nut, etc.
- material: spring steel (type C67S according to EN10132)
- surface treatment: Delta-Tone 9000 (480 hours)

Part No.	Code	A (mm)	H (mm)	d1 (mm)	F _{a,z} (N)	Pack 1	Pack 2
57020005	PHV5	1 - 5	39	6.5	720	100	500

For use with static loads only.



Complementary

BIS S-Hook
BIS Chain (DIN 5685)