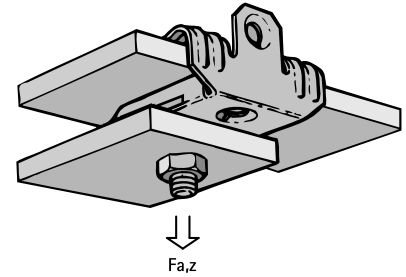
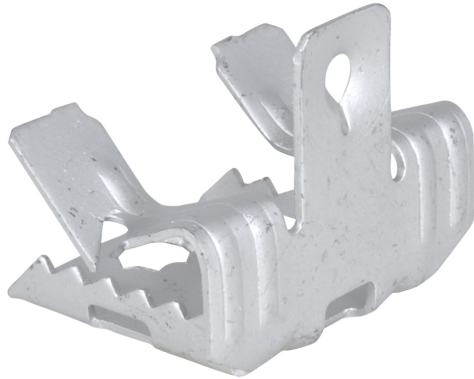


Britclips® FU

for flange 3 - 20 mm

(J 10 05)

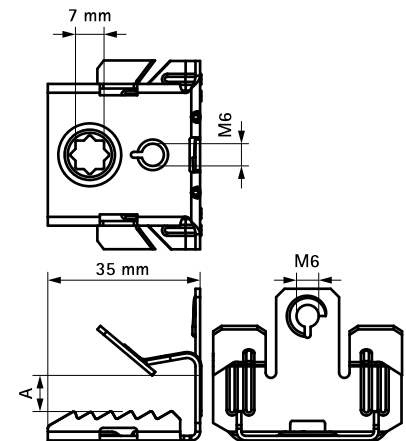


Features and Benefits

- for a solid fixing under flanges without welding or drilling
- suitable for horizontal and vertical flanges
- with female thread M6
- material: spring steel (type C67S according to EN10132)
- surface treatment: Delta-Tone 9000 (480 hours)

Part No.	Code	A (mm)	R	F _{a,z} (N)	Pack 1	Pack 2
51420607	FU7 M6	3.0 - 7.0	M6	450	100	400
51420613	FU12,5 M6	8.0 - 12.5	M6	450	100	400
51420620	FU20 M6	14.0 - 20.0	M6	450	100	400
51420663	FU12,5 M6-B	8.0 - 12.5	M6	450	25	250

For use with static loads only.



Complementary

- Walraven Stud Bolt
- BIS Cable Tie
- Walraven Threaded Rod

Alternative

Britclips® Tiger