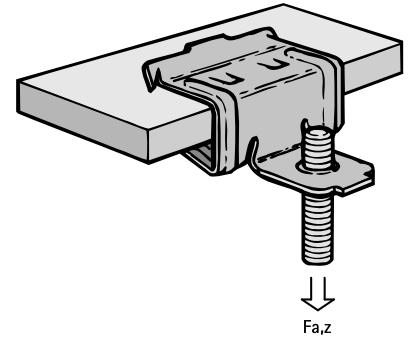


Britclips® FCR M6

for flange 5 - 16 mm

(J 05 35)

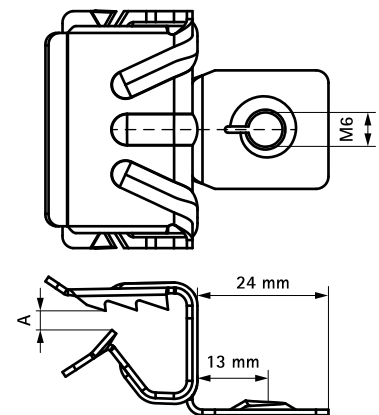


Features and Benefits

- for a solid fixing to steel construction without the need for welding or drilling
- with female thread M6
- material: spring steel (type C67S according to EN10132)
- surface treatment: Delta-Tone 9000 (480 hours)

Part No.	Code	A (mm)	R	F _{a,z} (N)	Pack 1	Pack 2
50425609	FCR8 M6	4 - 8	M6	200	100	400
50425616	FCR14 M6	8 - 14	M6	200	100	400

For use with static loads only.



Complementary
Walraven Stud Bolt
Walraven Threaded Rod