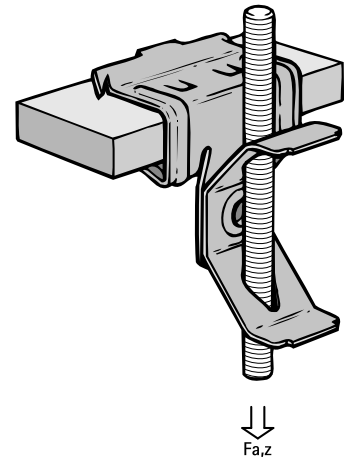


Britclips® FC TR

for flange 2 - 30 mm

(J 05 50)

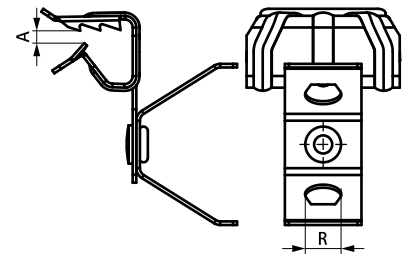


Features and Benefits

- for a solid fixing to steel construction without the need for welding or drilling
- with threaded rod clip (rod height adjustable by sliding)
- material: spring steel (type C67S according to EN10132)
- surface treatment: Delta-Tone 9000 (480 hours)

Part No.	Code	A (mm)	R	F _{a,z} (N)	Pack 1	Pack 2
50620809	FC8 TRM8	4 - 8	M8	350	50	200

For use with static loads only.



Complementary
 BIS Stud Bolt
 BIS Threaded Rod

Alternative
 Britclips® Tiger