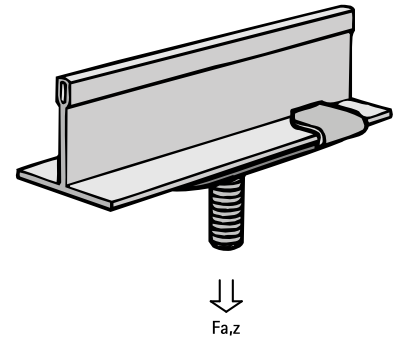


Britclips® ACC15

for ceiling grid 15 mm

(J 35 05)



Features and Benefits

- twist on fixing
- for fixing to the ceiling grid
- with stud bolt M6 x 16 mm for fixing of clamp, conduit junction box, etc.
- material: spring steel (type C67S according to EN10132)
- surface treatment: Delta-Tone 9000 (480 hours)

Part No.	Code	F _{a,z} (N)	Pack 1	Pack 2
56521600	ACC15 M6x16	220	100	600

For use with static loads only.

