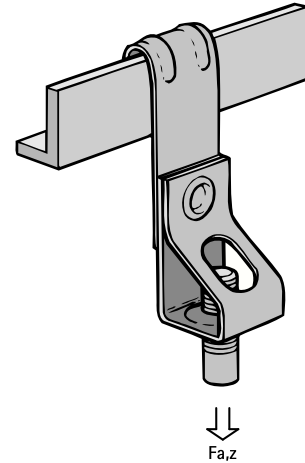


Britclips® PHV ICT

for vertical flanges 1 - 7 mm

(J 40 60)

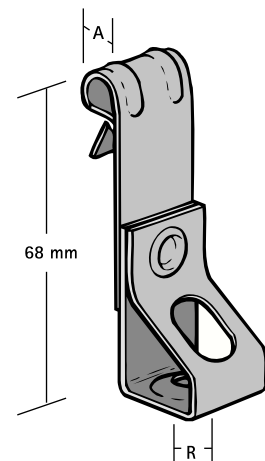


Features and Benefits

- for fixing to vertical flanges
- with threaded rod holder (rod height adjustable by screwing)
- material: spring steel (type C67S according to EN10132)
- surface treatment: Delta-Tone 9000 (480 hours)

Part No.	Code	A (mm)	R	F _{a,z} (N)	Pack 1	Pack 2
5742 0 605	PHV5 ICTM6	1 - 5	M6	650	100	400
5742 0 655	PHV5 ICTM6-B	1 - 5	M6	650	25	-
5742 0 805	PHV5 ICTM8	1 - 5	M8	700	100	400
5742 0 855	PHV5 ICTM8-B	1 - 5	M8	700	25	-
5742 1 005	PHV5 ICTM10	1 - 5	M10	720	100	400
5742 1 055	PHV5 ICTM10-B	1 - 5	M10	720	25	-

Articles with codes ending in a '-B' are packed in a plastic bag.
For use with static loads only.



Complementary

- BIS Stud Bolt
- BIS Threaded Rod