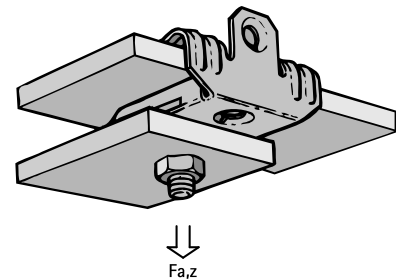
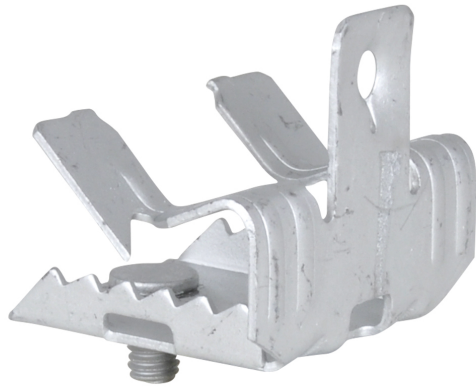


Britclips® FU M6 x 9

for flange 3 - 20 mm

(J 10 10)

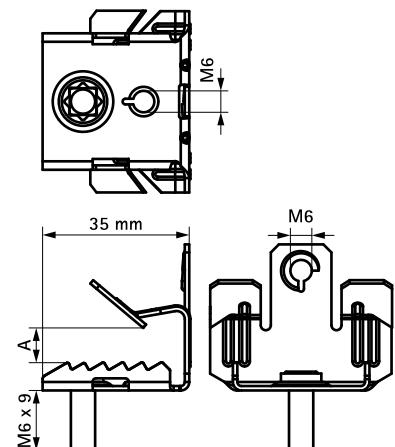


Features and Benefits

- for a solid fixing under flanges without welding or drilling
- suitable for horizontal and vertical flanges
- with stud bolt M6 x 9 mm for fixing of clamp, conduit junction box, etc.
- material: spring steel (type C67S according to EN10132)
- surface treatment: Delta-Tone 9000 (480 hours)

Part No.	Code	A (mm)	R	F _{a,z} (N)	Pack 1	Pack 2
5152 0 607	FU7 M6x9	3.0 - 7.0	M6	450	100	400
5152 0 613	FU12,5 M6x9	8.0 - 12.5	M6	450	100	400
5152 0 620	FU20 M6x9	14.0 - 20.0	M6	450	100	400
5152 0 657	FU7 M6x9-B	3.0 - 7.0	M6	450	25	250
5152 0 663	FU12,5 M6x9-B	8.0 - 12.5	M6	450	25	250
5152 0 670	FU20 M6x9-B	14.0 - 20.0	M6	450	25	250

For use with static loads only.



Complementary
BIS starQuick® Clamp (Grey)