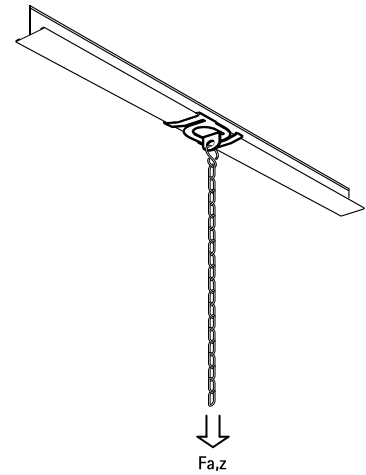


Britclips® ACT

for ceiling grid 25 mm

(J 35 37)



Features and Benefits

- twist on fixing
 - for fixing to the ceiling grid
 - with fixing hole (Ø 6.0 mm) to fix S-hook, etc.
- material: steel 1.0226

Part No.	Code	d1 (mm)	F _{a,z} (N)	ST	Pack 1	Pack 2
56091075	ACTW-B	6	190	epoxy-coated (white)	25	250

For use with static loads only.

