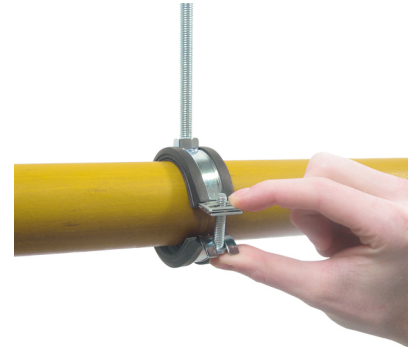


# BISMAT® Flash

(A 05 04)

for metal pipes 15 - 63 mm

M8 - M8/10



## Features and Benefits

- single screw clamp
- with BISMAT® Flash quick locking system
- clamp easy to close with one hand
- the locking screw can be secured without use of tools
- material: steel
- zinc plated
- noise insulating lining, EPDM rubber, black
- age resistant lining
- sound insulating lining according DIN 4109
- optimised noise insulation due to soft closing without tools
- noise reduction according to ISO 3822-1 up to 23 dB(A)
- tested for fire safety



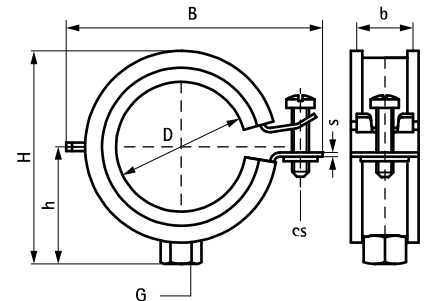
RAL-GZ 655/B  
Cert.Nr. 2010-23



RAL-GZ 656  
Cert.Nr. 2011-09

Part No.	D (mm)	D (°)	DN	G	B (mm)	H (mm)	h (mm)	b x s (mm)	cs	F <sub>a,z</sub> (N)	RAL	Pack 1
3373018	15 - 18	3/8	10	M8	49	38	22	20 x 1.00	M6	500	RAL <sup>2</sup>	50
3373023	20 - 23	1/2	15	M8	54	39	23	20 x 1.00	M6	500	RAL <sup>2</sup>	50
3373028	25 - 28	3/4	20	M8	59	44	26	20 x 1.00	M6	500	RAL <sup>2</sup>	50
3373035	32 - 35	1	25	M8	65	51	30	20 x 1.00	M6	500	RAL <sup>2</sup>	50
3373043	40 - 43	1 1/4	32	M8	74	60	34	20 x 1.25	M6	700	RAL <sup>2</sup>	50
3373051	48 - 51	1 1/2	40	M8	82	66	37	20 x 1.25	M6	700	RAL <sup>2</sup>	50
3373056	53 - 56	-	-	M8	85	76	42	20 x 1.25	M6	700	RAL <sup>2</sup>	50
3373063	57 - 63	2	50	M8	91	82	45	20 x 1.25	M6	700	RAL <sup>2</sup>	50
3374018	15 - 18	3/8	10	M8/10	49	44	30	20 x 1.00	M6	500	RAL <sup>2</sup>	50
3374023	20 - 23	1/2	15	M8/10	54	47	31	20 x 1.00	M6	500	RAL <sup>2</sup>	50
3374028	25 - 28	3/4	20	M8/10	59	52	34	20 x 1.00	M6	500	RAL <sup>2</sup>	50
3374035	32 - 35	1	25	M8/10	65	59	38	20 x 1.00	M6	500	RAL <sup>2</sup>	50
3374043	40 - 43	1 1/4	32	M8/10	74	68	42	20 x 1.25	M6	700	RAL <sup>2</sup>	50
3374051	48 - 51	1 1/2	40	M8/10	82	74	45	20 x 1.25	M6	700	RAL <sup>2</sup>	50
3374056	53 - 56	-	-	M8/10	85	84	50	20 x 1.25	M6	700	RAL <sup>2</sup>	50
3374063	57 - 63	2	50	M8/10	91	90	53	20 x 1.25	M6	700	RAL <sup>2</sup>	50

RAL<sup>2</sup> = tested, certified and monitored by a third party according to RAL-GZ 655/B and RAL-GZ 656.  
For detailed technical information about our RAL marked products, please see the RAL datasheet in our web catalogue.



## Complementary

- BIS RapidRail® Fixing System
- BIS Fixing Accessories
- BIS Fastenings