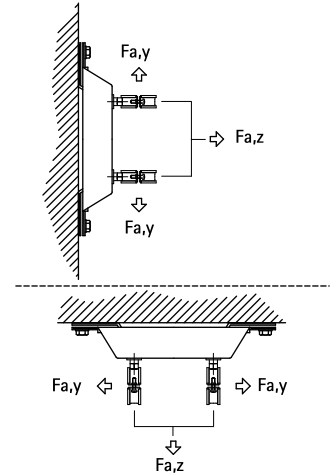
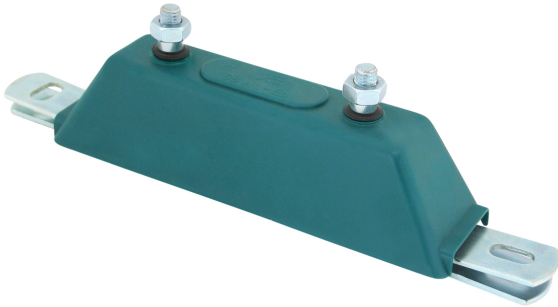


BIS dB-FiX[®] 80 Fixing Point Assembly

(E 05 20)

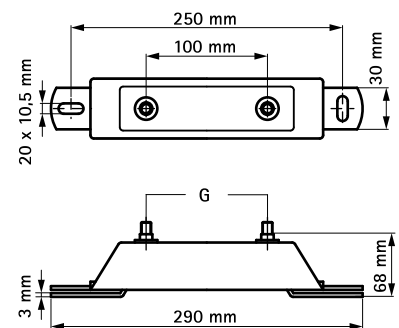
for noise insulation fixing point



Features and Benefits

- noise insulating fixing point for pipes up to Ø 2" (clamp BIS HD500 Ø 59 - 65 mm)
- zinc plated
- very stable
- material: steel
- sound insulating lining according DIN 4109
- noise insulation by moulded EPDM rubber

Part No.	G	F _{a,z} (N)	F _{a,y} (N)	Pack 1
6693008	M10	3,000	2,700	10



Complementary

Walraven RapidStrut[®] Fixing System
BIS dB-FiX[®] 80 / 200 Mounting Kit

Alternative

BIS dB-FiX[®] 200 Fixing Point Assembly