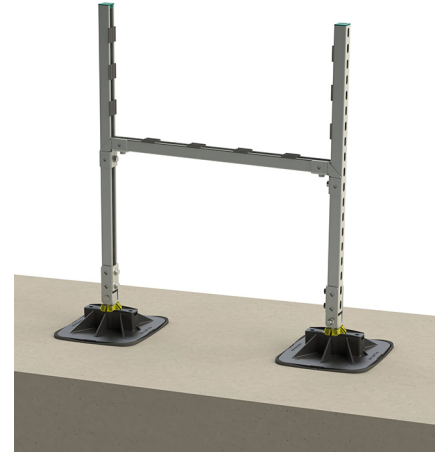


BIS Yeti[®] 335 H-Set with Rail (BUP1000)

(104 11)

for Rooftop Installations

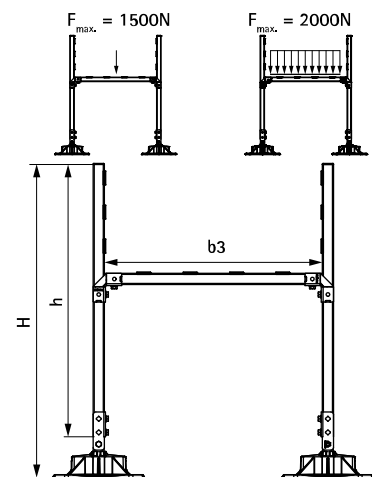


Features and Benefits

- complete set for supporting installation appliances on flat and low pitched roofs
- for quick installation of air duct channels on the roof
- adjustable to compensate roof pitch and 360° rotatable insert for flexibility in positioning
- with non-slip anti-vibration mat
- predefined load capacity (see assembly instruction), calculation not necessary
- mouldings made of WPC, a composite of recycled plastic and wood fibre
- resistant to UV and chemical influences
- surface protection:
 - product is part of the BIS UltraProtect[®] 1000 system
 - suitable for in- and outdoor applications
 - stands min. 1,000 hours salt spray test (max. 5% red rust) according to ISO 9227
- noise reduction according to DIN EN ISO 10140-1 and DIN EN ISO 10140-3 up to 31 dB(A)
- Part No. 67685310 consisting of:
 - 2 x BIS Yeti[®] 335 including non-slip anti-vibration mat (made of rubber)
 - 3 x 1.0 m BIS RapidStrut[®] Fixing Rail 41x41/2.0 (BUP1000), cut to length and deburred
 - 2 x BIS Yeti 335 Hinge (BUP1000)
 - 2 x BIS Strut Connector 90° / 2D (BUP1000)
 - 10 x BIS Strut Rubber Strip 50mm for noise insulating according DIN 4109
 - all connecting elements, rail end caps and bolts are included and most are pre-assembled



SG Bauakustik
Nr. 1762-001-19



| Part No. | b3 (mm) | H (mm) | h (mm) | Pack 1 |
|----------|------------|-----------|-----------|--------|
| 67685310 | 1,000 | 1,150 | 1,000 | 1 |

Maximum load ($F_{a,2}$) depends on the load capacity of the trapezium shaped roofing sheet. Before mounting, the roof load capacity has to be confirmed by a structural engineer.
If changes to the mounting parameters is necessary then please contact Walraven Technical Department.

Complementary

BIS RapidStrut[®] Fixing Rail (BUP1000)