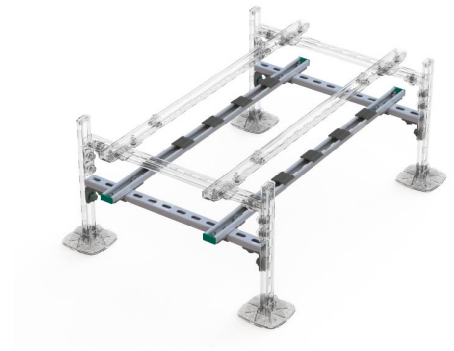
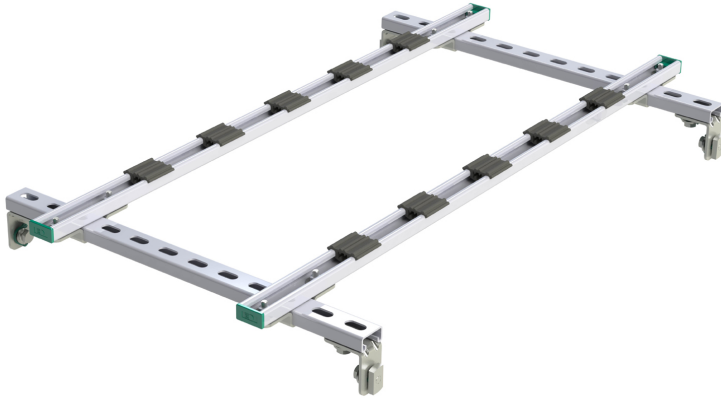


BIS Yeti® 130 Extension Level (BUP1000)

(10453)

to add ballast blocks to Yeti® 130 Frame Sets

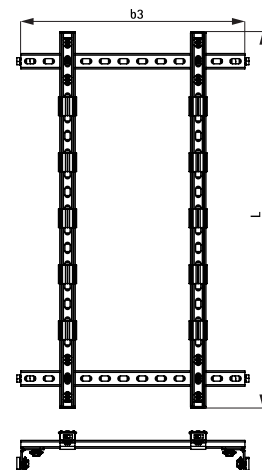


Features and Benefits

- complete set for use in combination with BIS Yeti® Frame Set (Art.no. 67685532)
- to build an additional layer for ballast blocks
- including rubber lining strips
- material: steel
- surface protection: product is part of the BIS UltraProtect® 1000 system
- suitable for in- and outdoor applications
- stands min. 1,000 hours salt spray test (max. 5% red rust) according to ISO 9227

Part No.	Model	L	B	b3	H	k	k1	F _{a,z}	Pack 1
			(mm)	(mm)	(mm)	(mm)	(mm)	(N)	
67685522	BIS Yeti® Extension Level for Ballast ISO BUP	1,000 mm	751	600	42	850	621	1,500	1

Maximum load (F_{a,z}) depends on the load capacity of the trapezium shaped roofing sheet. Before mounting, the roof load capacity has to be confirmed by a structural engineer. If changes to the mounting parameters is necessary then please contact Walraven Technical Department.



Complementary

BIS Yeti® 130 Frame Set (BUP1000)