

BIS Wall Plate CO₂ Welded

(K 15 12)

fixing to wall or ceiling



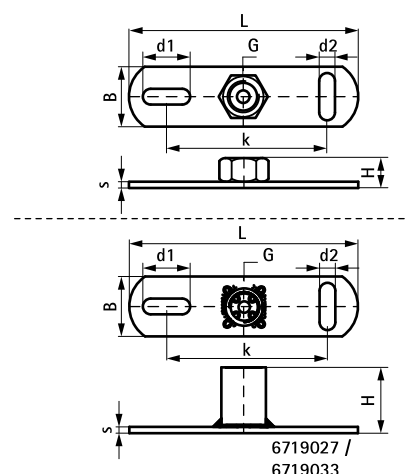
6719016

6719027

Features and Benefits

- fixings to wall, ceiling or floor (tension and bending loads allowed)
- slots at 90° to each other to simplify fixing
- with CO₂ welded connection nut
- material: steel
- zinc plated

Part No.	G	L	B (mm)	H (mm)	s (mm)	d1 (mm)	d2 (mm)	k (mm)	F _{a,z} (N)	Pack 1
6719012	M12	145 mm	38	16.5	4	30 x 11	25 x 11	100	6,000	50
6719016	M16	145 mm	38	19.5	4	30 x 11	25 x 11	100	6,000	50
6719021	G½"	145 mm	38	21.5	4	30 x 11	25 x 11	100	4,000	50
6719027	G¾"	145 mm	38	26.5	4	30 x 11	25 x 11	100	5,000	50
6719033	G1"	145 mm	38	26.5	4	30 x 11	25 x 11	100	5,500	50



Complementary
Walraven Stud Bolt
Walraven Threaded Tube