

# BIS U-Clamp (long)

for steel pipes 21.5 - 168.3 mm

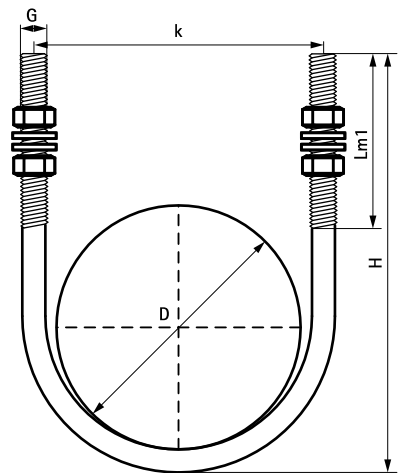
(B 10 30)



## Features and Benefits

- U-clamp with thread
- including nuts and washers
- material: steel
- zinc plated

Part No.	D (mm)	D (")	DN	G	H (mm)	Lm1 (mm)	k (mm)	Pack 1
2085306021	21.5	1/2	15	M6	90	70	30	100
2085308027	26.9	3/4	20	M8	100	70	35	100
2085308034	33.7	1	25	M8	107	70	42	100
2085308042	42.4	1 1/4	32	M8	134	90	55	100
2085308049	48.3	1 1/2	40	M8	143	90	57	100
2085308060	60.3	2	50	M8	154	90	69	25
2085308076	76.1	2 1/2	65	M8	171	90	89	25
2085310090	88.9	3	80	M10	187	90	100	25
2085310114	114.3	4	100	M10	210	90	125	25
2085312140	139.7	5	125	M12	235	90	152	25
2085314168	168.3	6	150	M14	268	90	180	10



Alternative  
BIS U-Clamp