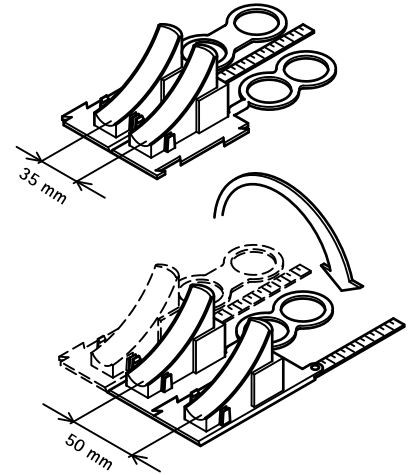
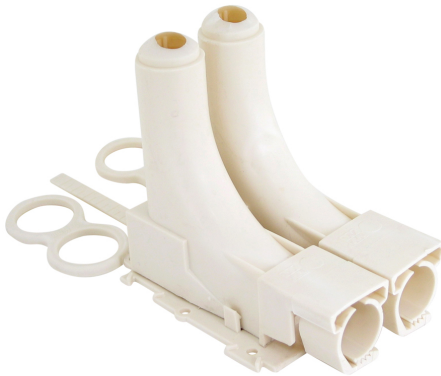


BIS Two-Part Floor Bend

(0 10 10)

guiding of plastic floor pipe 12 - 25 mm



Features and Benefits

- two-part floor bend
- protects the pipe against mechanical damage ('buckle')
- for pipe sleeve up to \varnothing 25 mm
- with perforation line for separation into 2 single floor bends
- distance strip simplifies setting of distance between wall and bend
- double eye to fix centre distance during casting
- foot plate with dove tail: increases centre distance from 35 to 50 mm by switching the left and right floor bend
- upperpart easily tackable to bottomplate
- material: PP (polypropylene), creamcoloured (according to RAL 1013)

Part No.	D (mm)	Pack 1
0872813	12 - 25	10

