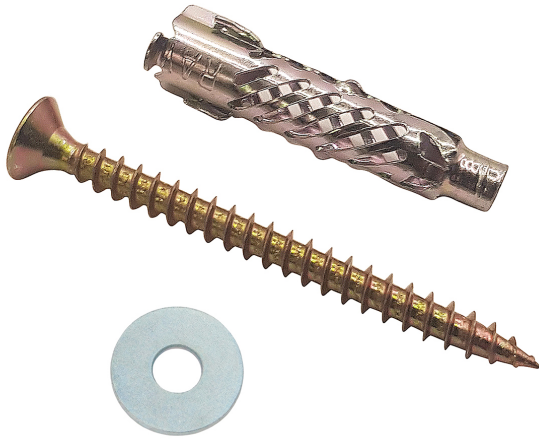


BIS TWIST

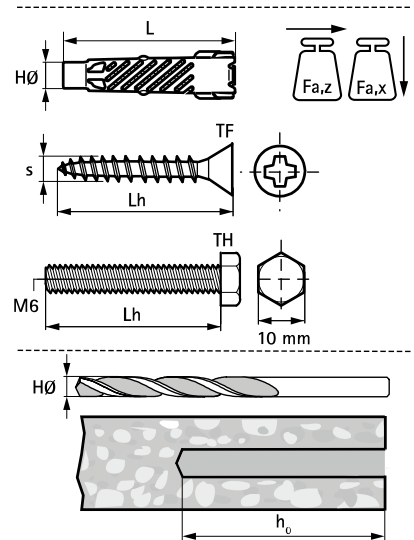
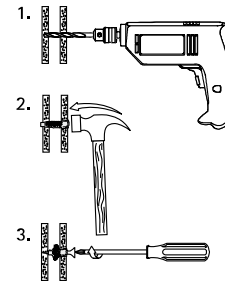
fixing to concrete, brick

(L 10 20)



Features and Benefits

- easy and quick to use
 - plug anchors itself when tightening the screw
 - does not rotate on screwing
- for (middle)heavy fixings in solid or hollow materials
- pre-drill hole \varnothing 8 mm or 10 mm and insert plug
- stays in position, when screw is removed
- with flat head
- with collar to prevent plug from falling into hollow space
- suitable for metric thread and chipboard screws
- expands in solid materials, strip up in hollow materials
- $H\varnothing$ 10mm: torque is max. 7.5 Nm
- material: steel
- better fire resistance than plastic plugs
- surface treatment: zinc plated, white passivated



Part No.	Model	L	s	Lh	HØ	h ₀	T _(max.)	F _{a,z}	F _{a,x}	Pack 1	Pack 2
			(mm)	(mm)	(mm)	(mm)	(Nm)	(N)	(N)		
6119141	Incl. screws (TF) and washers	45 mm	5.0	60	8	55	7.5	570	1,130	12	120
6119641	Incl. screws (TF) and washers	50 mm	6.0	70	10	65	7.5	570	1,130	10	100
6119653	Incl. screws (TF) and washers	50 mm	6.0	70	10	65	7.5	570	1,130	50	300
6119731	Incl. bolts (TH) and washers	50 mm	6.0	60	10	60	7.5	600	1,520	10	100
6119753	Incl. bolts (TH) and washers	50 mm	6.0	60	10	60	7.5	600	1,520	50	300

Max. allowed load (Fa) in brick (safety margin 1:2).
Other materials on demand.