

BIS Support Bracket Round Ductwork

(F05 20)

for air ducts



412 5 004

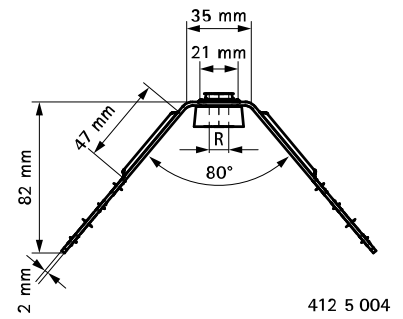
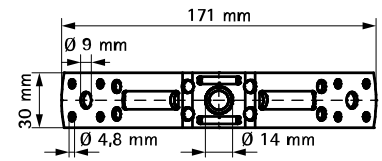


412 5 005

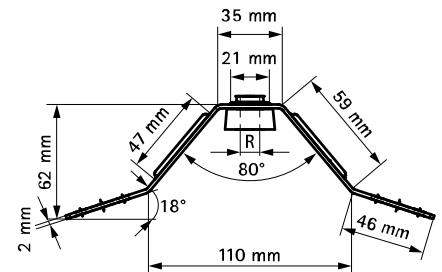
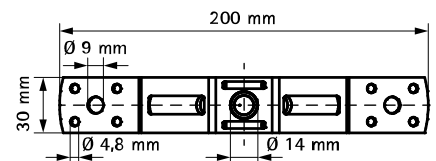
Features and Benefits

- for fixing of round air ducts
- with hole \varnothing 4.8 mm for pop-rivet connection
- material: metal parts made of steel; silent block made of TPE rubber, black
- zinc plated
- sound insulating lining according to DIN 4109

Part No.	Type	R	F _{a,z} (N)	Pack 1
4125004	V	M10	490	50
4125005	A	M10	490	50



412 5 004



412 5 005