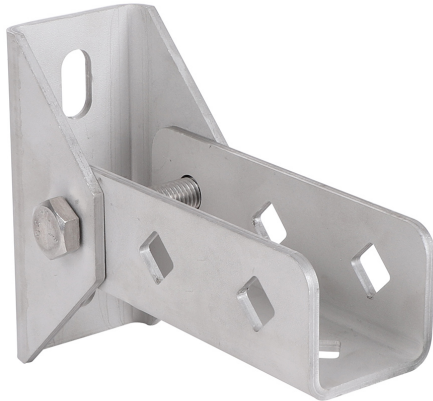


BIS Strut Stainless Steel Wall Plate (Hinged)

(M 53 15)

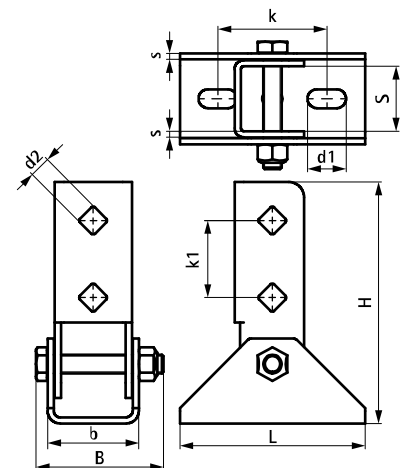
fixing to wall, floor or ceiling



Features and Benefits

- wall plate with hinging U-profile
- for fixing of rail to wall, floor or ceiling
- rail can be fixed with slot downwards or sideways
- also used to strengthen constructions with Strut 41x41
- material: stainless steel 1.4404 (A4) - EN 10088, AISI 316L

| Part No. | L | B | H | b | s | d1 | d2 | S | k | k1 | For Rail | F _{a,z 2} | Pack 1 |
|---|--------|------|------|------|------|---------|------|------|------|------|----------|--------------------|--------|
| | | (mm) | (mm) | (mm) | (mm) | (mm) | (mm) | (mm) | (mm) | (mm) | | (N) | |
| 66587814 | 120 mm | 83 | 157 | 59 | 4.0 | 25x12.2 | 13.8 | 42 | 71 | 50 | Strut | 9.700 | 10 * |
| * Tested with rail 41x41x2.5 with throughbolts. More details can be found on the Technical Datasheet. | | | | | | | | | | | | | |



Complementary

- BIS RapidStrut® Stainless Steel Fixing Rail
- BIS RapidStrut® Stainless Steel Fixing Rail Double
- BIS RapidStrut® Stainless Steel Cantilever Arm

Complementary

- WTB1 Throughbolt Anchor SSt
- WDI1 Drop-in Anchor SSt
- BIS RapidStrut® Stainless Steel Slide Nut with Tabs