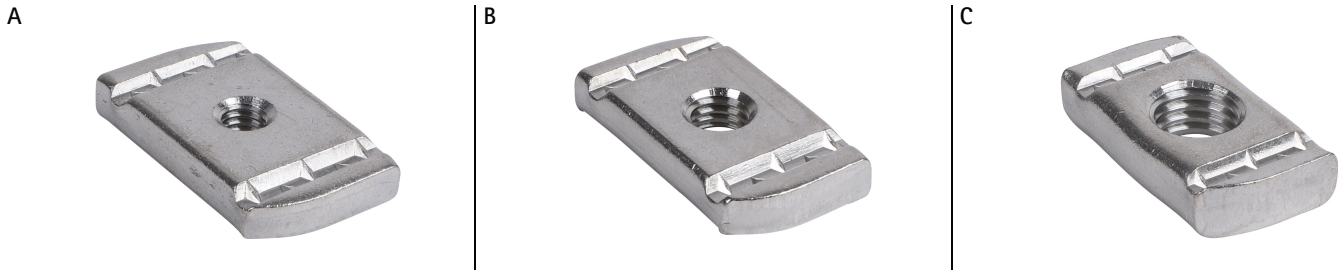


# BIS Strut Stainless Steel Slide Nut

(M 55 04)

fixing to Strut rail

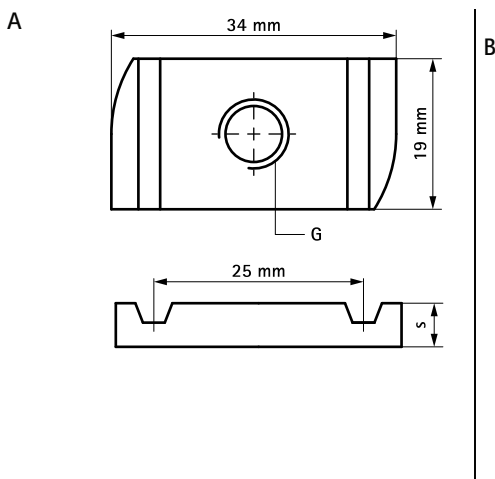


## Features and Benefits

- for all types of Strut Rail
- for tight fixing of accessories (e.g. connectors) on rail
- material: stainless steel 1.4401 (AISI 316)
- M10 and M12 tested for fire safety according to EN 1363-1

| Part No.  | G   | s<br>(mm) | T <sub>(inst.)</sub><br>(Nm) | For Rail | F <sub>a,z</sub><br>(N) | F <sub>a,x</sub><br>(N) | Pack 1 | Pack 2 |
|-----------|-----|-----------|------------------------------|----------|-------------------------|-------------------------|--------|--------|
| A 6517706 | M6  | 6.0       | 7.0                          | Strut    | 2,660                   | 950                     | 25     | 250    |
| B 6517708 | M8  | 6.0       | 25.0                         | Strut    | 4,500                   | 2,200                   | 25     | 250    |
| C 6517710 | M10 | 8.0       | 40.0                         | Strut    | 5,000                   | 2,550                   | 25     | 250    |
| 6517712   | M12 | 9.0       | 50.0                         | Strut    | 5,000                   | 2,950                   | 25     | 250    |

*Tested values in combination with BIS RapidStrut® Rail 41x41x2.5mm.  
More details can be found on the Technical Datasheet.*



### Complementary

Walraven RapidStrut® Stainless Steel Channel  
Walraven RapidStrut® Stainless Steel Cantilever Arm

### Alternative

Walraven RapidStrut® Stainless Steel Slide Nut with Tabs