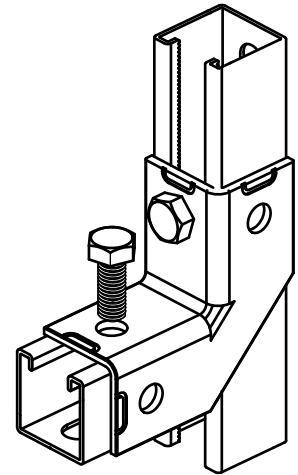


BIS Strut Stainless Steel Connector 90° / 2D

(M 60 110)

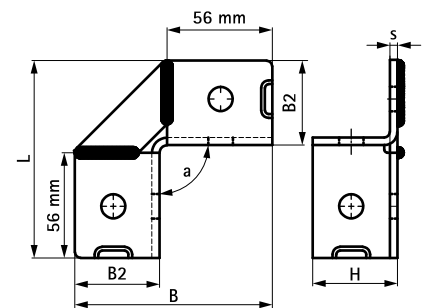
to make Strut rail fabrications



Features and Benefits

- flexible connector allows different rail positioning
- material: stainless steel 1.4401 (AISI 316)
- strong connection by surrounding the rail

Part No.	d (mm)	Model	L	B	B2	H	s	k	a	For Rail	Pack 1
66597914	13 mm	2+2 / 90	105 mm	105	45	45	4.0	-	90	Strut	10



Complementary

- Walraven RapidStrut® Stainless Steel Channel
- Walraven RapidStrut® Stainless Steel Channel Double
- Walraven RapidStrut® Stainless Steel Slide