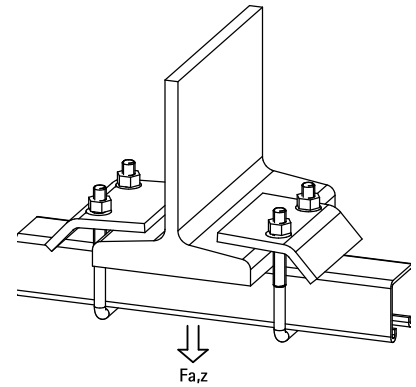


# BIS Strut Stainless Steel Beam Clamp

(M 62 16)

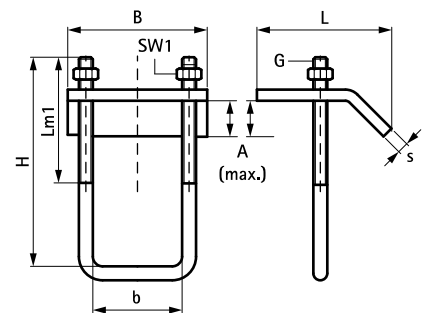
to connect Strut Rail to steel beam



## Features and Benefits

- for a solid fixing under flanges without welding or drilling
- material: stainless steel 1.4401/1.4404 (A4) – EN 10088, AISI 316/316L
- always use 2 beam clamps per fixing

Part No.	A (mm)	G	L	B (mm)	H (mm)	s (mm)	Lm1 (mm)	SW1 (mm)	For Rail	F <sub>a,z</sub> (N)	F <sub>a,z</sub> (kg)	Pack 1
66587711	17.5	M10	69 mm	80	90	6.0	60	17	Strut 41x21 + 41x41	5,700		25
66587721	20.0	M10	69 mm	80	130	6.0	75	17	Strut 41x41D	5,700	570	25



## Complementary

Walraven RapidStrut® Stainless Steel Channel  
Walraven RapidStrut® Stainless Steel Channel Double