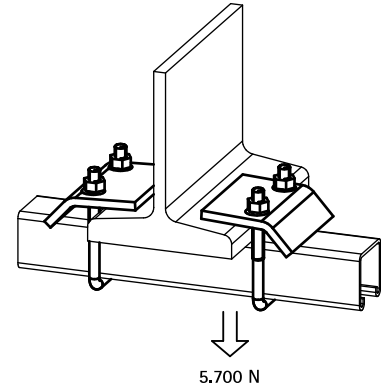


BIS Strut Stainless Steel Beam Clamp

(M 62 15)

to make Strut rail fabrications



Features and Benefits

- for a solid fixing to steel construction
- material: stainless steel 1.4401 (AISI 316)
- without the need for welding or drilling
- always use 2 beam clamps per fixing

Part No.	A (mm)	L	For Rail	Pack 1
6571711	< 20	90 mm	Strut 41x21 + 41x41	25
6571721	< 20	130 mm	Strut 41x21 + 41x41 + 41x41D	25

