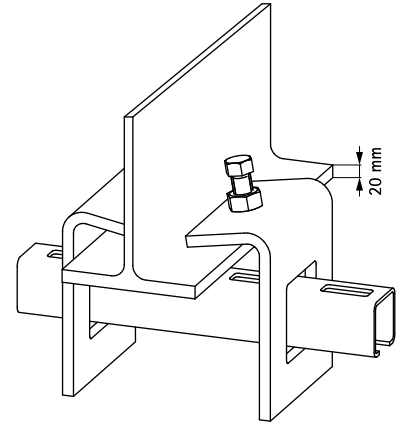
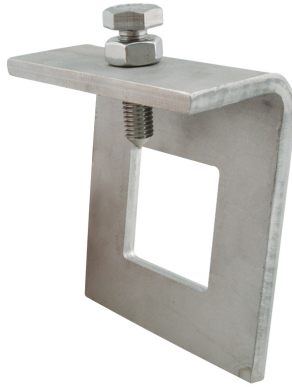


BIS Strut Stainless Steel Beam Clamp

(M 62 10)

to make Strut rail fabrications



Features and Benefits

- for a solid fixing to steel construction without the need for welding or drilling
- material: stainless steel 1.4401 (AISI 316)
- always use 2 beam clamps per fixing

Part No.	For Rail	Pack 1
657 1 781	Strut 41x41	10

