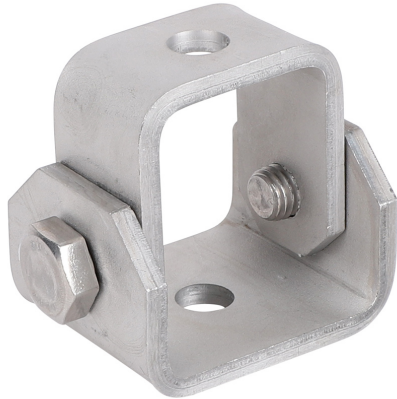


BIS Strut Stainless Steel Adjustable Support

(M 53 20)

fixing to wall, floor or ceiling

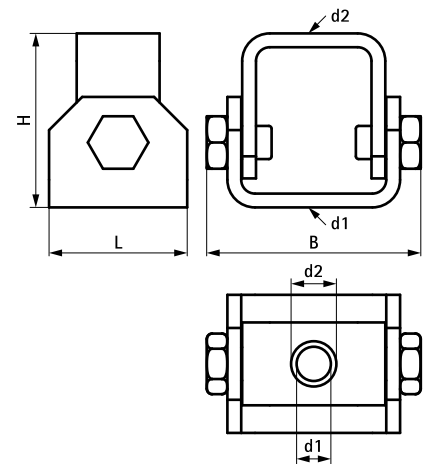


Features and Benefits

- especially for angled installations with bracings
- adjustable angle up to 90°
- suitable for fixing to wall, ceiling, floor or directly on rails
- with two holes Ø13 mm
- material: stainless steel 1.4401 (A4) - EN 10088, AISI 316

Part No.	L	B	H	d1	d2	For Rail	F _{a,z} (N)	Pack 1
		(mm)	(mm)	(mm)	(mm)			
66587718	50 mm	78	63	Ø 13.0	Ø 13.0	Strut	5,000	10

Max. allowed load: when used at an angle of 45° on wall/ceiling.



Complementary

Walraven RapidStrut® Stainless Steel Channel
Walraven RapidStrut® Stainless Steel Channel Double
Walraven RapidStrut® Stainless Steel

Complementary

BIS Stainless Steel Threaded Rod
WTB1 Throughbolt Anchor SSt
WDI1 Drop-in Anchor SSt