

# BIS Strut Slide Nut (zp)

(H 24 20)

fixing to Strut rail

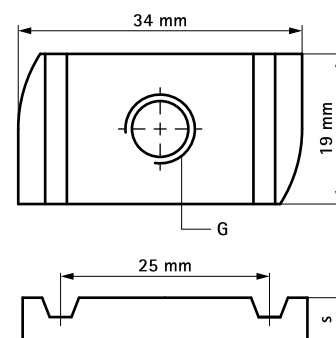
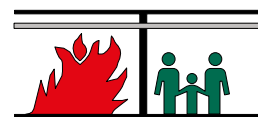


## Features and Benefits

- material: slide nut made of steel 1.0332; ■ tested for fire safety spring made of spring steel DIN17223 (class A)
- zinc plated

Part No.	G	L	s (mm)	T <sub>(max.)</sub> (Nm)	For Rail	F <sub>a,z</sub> (N)	Pack 1	Pack 2
651 7 006	M6	-	5.0	7.5	Strut	5,300	100	600
651 7 008	M8	-	6.0	15.0	Strut	6,000	100	500
651 7 010	M10	-	9.0	15.0	Strut	9,500	100	600
651 7 012	M12	-	9.0	30.0	Strut	10,000	100	500

*M10 and above tested for fire safety.*



## Complementary

- BIS RapidStrut® Fixing Rail (pg)
- BIS RapidStrut® Cantilever Arm (BUP1000)

## Alternative

- BIS RapidStrut® Slide Nut with Plastic Tabs (zp)
- BIS Strut Slide Nut (BUP1000)