

BIS Strut Rubber Strip

(H 39 20)

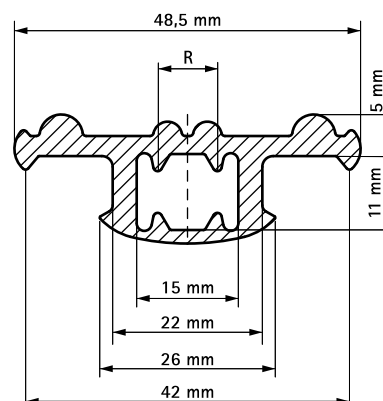
noise insulation lining for Strut rail



Features and Benefits

- push in strip
 - noise insulating lining for rail
 - also usable for threaded rod M6, M8 or M10
 - building material class B2 according to DIN 4102-1 and class E according to EN 13501-1
 - sound insulating lining according DIN 4109
- material: EPDM rubber, black

| Part No. | R | L | For Rail | Pack 1 |
|----------|------------|-------|----------|--------|
| 6568041 | 1/4 - 1/2" | 30 m | Strut | 30 |
| 6568042 | 1/4 - 1/2" | 50 mm | Strut | 50 |



Complementary

- BIS RapidStrut® Cantilever Arm (BUP1000)
- BIS RapidStrut® Fixing Rail (pg)
- BIS RapidStrut® Fixing Rail DS 5 (BUP1000)