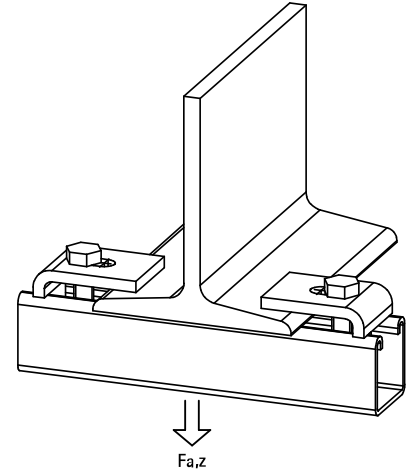


BIS Strut Rail Beam Clamp

(H 36 10)

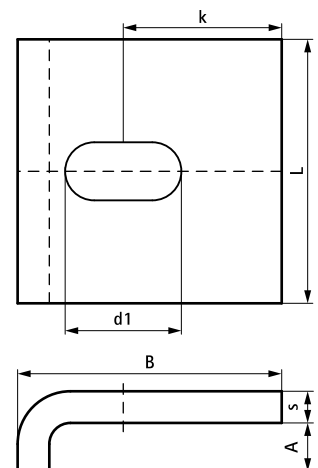
to make Strut rail fabrications



Features and Benefits

- for a solid fixing to steel construction without the need for welding or drilling
- always use 2 beam clamps per fixing
- material: steel 1.0332

Part No.	A (mm)	L	B (mm)	s (mm)	d1 (mm)	k (mm)	F _{a,z} (N)	Pack 1
66583741	15	50 mm	50	6.0	22 x 11	30	8,000	50



Complementary

- BIS RapidStrut® Fixing Rail (pg)
- BIS RapidStrut® Fixing Rail Double (pg)

Alternative

- BIS Strut Rail Beam Clamp
- BIS Strut 'Heavy Duty' Beam Clamp
- BIS Strut 41x21D 'Heavy Duty' Set