

# BIS Strut Floor Bracket

(H 16 50)

to make Strut rail fabrications

A



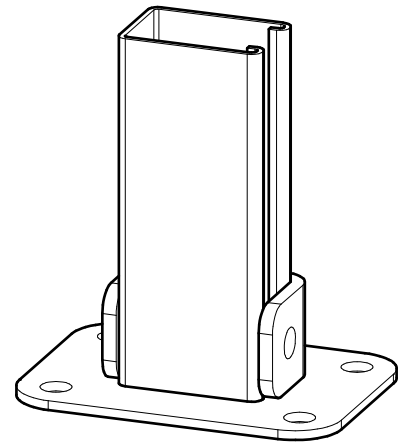
B



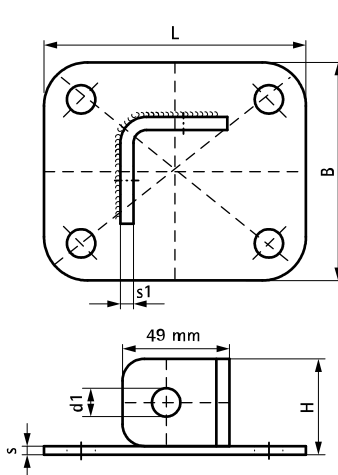
## Features and Benefits

- to make fabrication with Strut Rail
- easy fitting due to rounded edges
- material: steel 1.0332

Part No.	L	B	H	s	s1	d1	For Rail	ST	Pack 1
		(mm)	(mm)	(mm)	(mm)	(mm)			
6658 3 602	120 mm	100	44	4.0	4.0	Ø 13	Strut 41x41	zinc plated	15



A



B