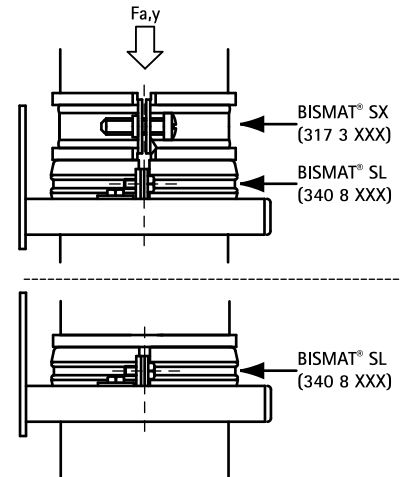
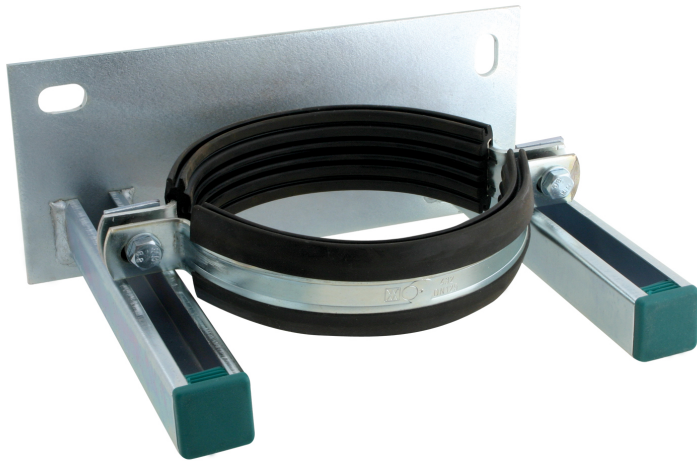


BIS Stand Pipe Bracket

(A 30 05)

for stand pipes DN 70 - DN 200

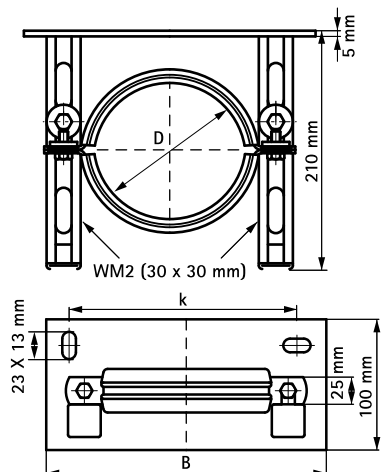


Features and Benefits

- one-part console set with BISMAT® SL Guidance clamp
- fixing free of tension throughout infinite adjustment
- material: steel
- zinc plated
- noise insulating lining, EPDM rubber, black
- lining with unique noise insulating profile at the outside edges
- age resistant lining
- sound insulating lining according DIN 4109

Part No.	D (mm)	DN	B (mm)	k (mm)	F _{a,y} (N)	Pack 1
4323070	78	70	189	144	3,000	-
4323080	83	80	194	149	3,000	-
4323100	110	100	219	174	3,000	-
4323125	135	125	246	201	3,000	-
4323150	160	150	269	224	3,000	-
4323200	210	200	319	274	3,000	80

Max. allowed load (F_{a,y}): distance between wall and centre of clamp during test 130 mm. When used in combination with the BISMAT® SX-Socket Clamp the max. allowed load is determined by the SX Clamp (page A 30 15).



Complementary

- BISMAT® SX Socket Clamp
- BISMAT® SL Guidance Clamp

Alternative

- BISMAT® 1000 Stand Pipe Clamp