

BIS Stainless Steel Washer (Flat)

(M 29 30)

fixing to Walraven RapidRail®

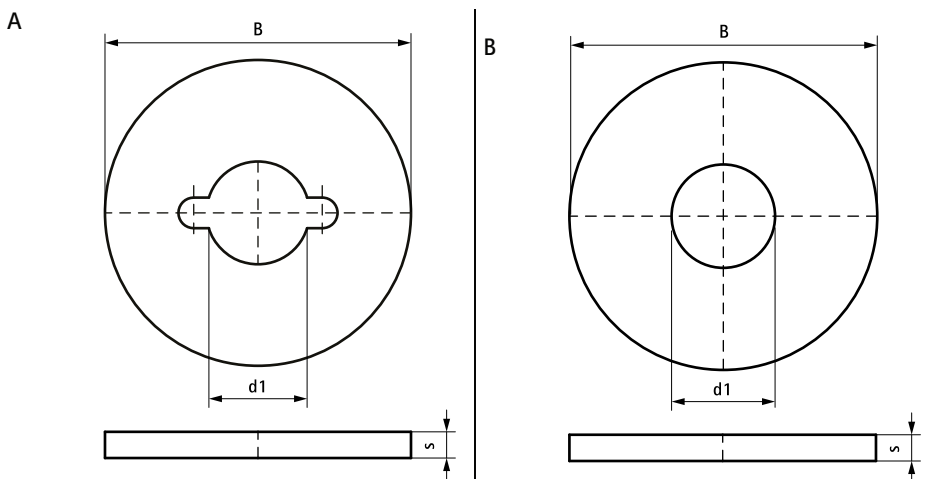
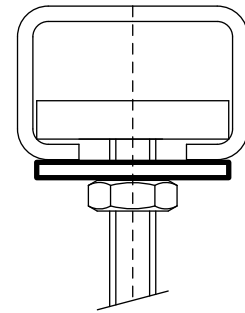


Features and Benefits

- flat washer
- material: stainless steel 1.4401 (AISI 316)

Part No.	Type	B (mm)	s (mm)	d1 (mm)	For Rail	Pack 1	Pack 2
A 6537006	A	25	2.50	Ø 6.5	30x15, 30x20, 30x30	50	500
A 6537008	A	25	2.50	Ø 8.5	30x15, 30x20, 30x30	50	500
A 6537010	A	25	2.50	Ø 10.5	30x15, 30x20, 30x30	50	500
B 6537012	B	28	3.00	Ø 14.0	30x15, 30x20, 30x30	50	500
B 6537016	B	30	3.00	Ø 17.0	30x15, 30x20, 30x30	50	500

Ø 10.5 and above tested for fire safety.



Complementary

Walraven RapidRail® Stainless Steel Fixing Rail
 Walraven RapidRail® Stainless Steel Cantilever Arm