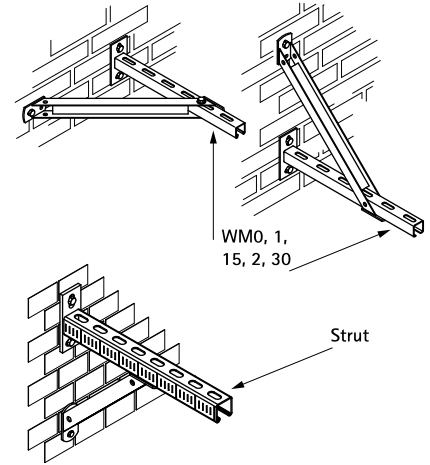


# BIS Stainless Steel Rail Prop

reinforcement of cantilever arm

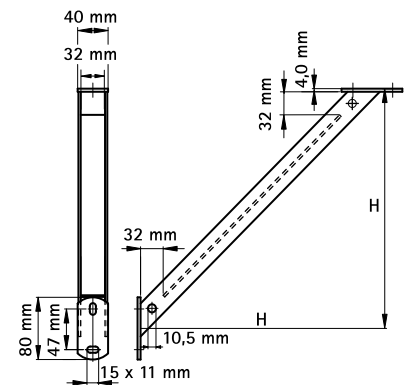
(M 32 05)



## Features and Benefits

- 45° support bracket
- for fixing support under, top or on side of a cantilever arm
- also used to strengthen rail constructions
- CO<sub>2</sub> welded
- material: stainless steel 1.4401 (AISI 316)

Part No.	H (mm)	For Rail	Pack 1
6627220	250	WM1, 15, 2, Strut	10



## Complementary

BIS RapidRail® Stainless Steel Fixing Rail  
 BIS RapidRail® Stainless Steel Cantilever Arm