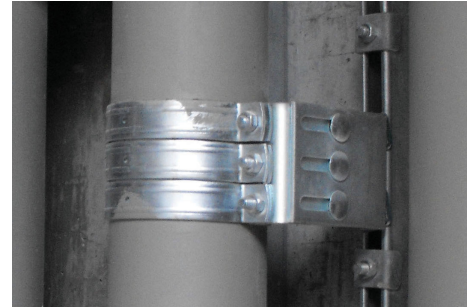


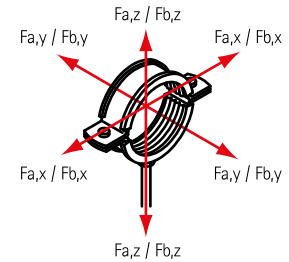
BIS Stainless Steel Fixpoint Console FPC 'Medium'

(M 19 02)



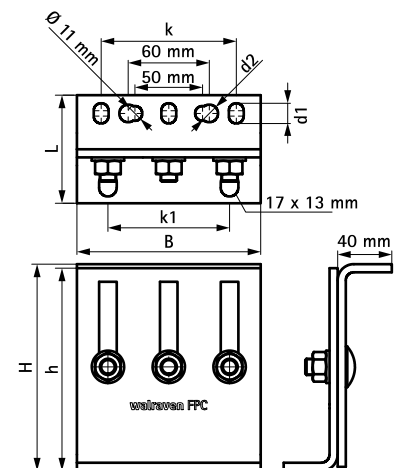
Features and Benefits

- flexible use console module for high forces (depending on the situation, detailed design by technical service)
- can be used as a pipe connection point in conjunction with 2 or 3 heavy-duty clamps type Stainless Steel Heavy Duty Clamps and Stainless Steel Heavy Duty Clamps with Lining
- tightening torque 75 Nm for the console fixing screws
- material: metal parts made of stainless steel 1.4404 (A4) - EN 10088, AISI 316L; bolts, nuts, washers made of stainless steel 1.4401 (A4) - EN 10088, AISI 316



Part No.	L	B	H	h	d1	d2	k	k1	F _{a,z}	F _{a,y}	F _{a,x}	Pack 1
	mm	(mm)	(mm)	(mm)	(mm)	(mm)	(mm)	(mm)	(N)	(N)	(N)	
6697206	80 mm	136	153 - 268	150	15 x 11	Ø 13.0	100	90	14,300	11,500	3,200	2 *

** Depending on the situation, please contact Walraven Technical Support for advice on safe loads. Note! Console, Clamps and Anchors are to be ordered separately.*



Complementary

BIS Bifix® 300 Stainless Steel
 BIS Bifix® 1301 Stainless Steel
 Stainless Steel Heavy Duty Clamp with Lining

Complementary

Stainless Steel Heavy Duty Clamp
 WTB1 Throughbolt Anchor