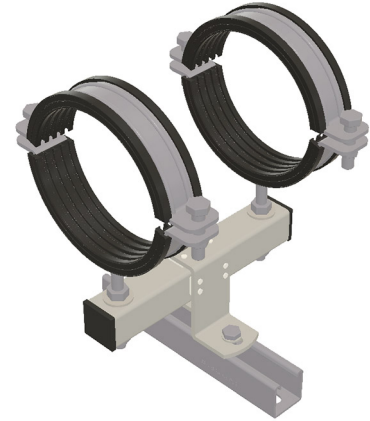
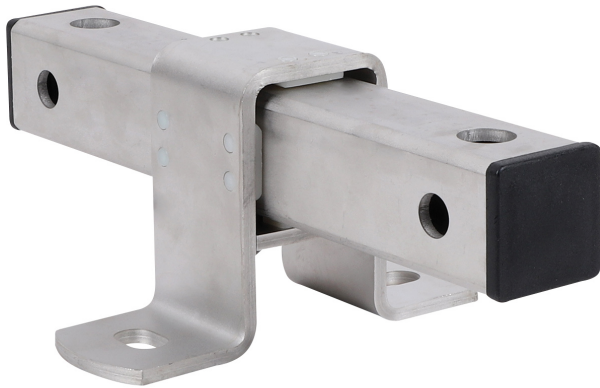


BIS Stainless Steel Expansion Guide Assembly

(M 19 10)

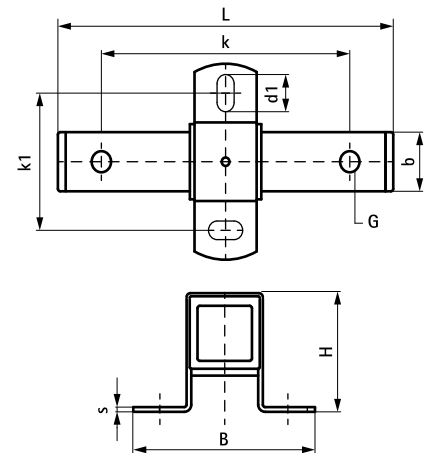
fixing with sliding assemblies



Features and Benefits

- stable and safe double support for pipe expansion
- fix directly on the building structure or in combination with rail systems
- suitable for ceiling mounting (suspended) and floor mounting (standing mounted)
- tapped with different sized connecting holes (13/17 mm) on opposing faces
- can be combined with HD1501 or HD500 clamps
- material: metal parts made of stainless steel 1.4404 (A4) - EN 10088, AISI 316; sliding strips made of PE colour white, endcaps made of PE colour black

Part No.	Type	G	L	B	H	b	s	d1	k	k1	SL (max.)	F _{a,z} (N)	F _{a,z} (kg)	Pack 1
6667813	FG3	Ø 13.0 mm / 17.0 mm	255 mm	146 (mm)	90 (mm)	40 (mm)	5.0 (mm)	20 x 13 (mm)	200 (mm)	100 (mm)	120 (mm)	7,500	750	5



Complementary

BIS Bifix® 300 Stainless Steel
 BIS Bifix® 1301 Stainless Steel
 Stainless Steel Heavy Duty Clamp with Lining

Complementary

Stainless Steel Heavy Duty Clamp
 WT B1 Throughbolt Anchor SSt