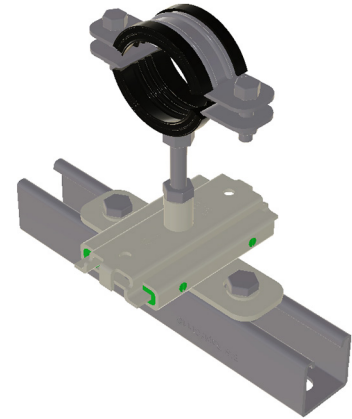
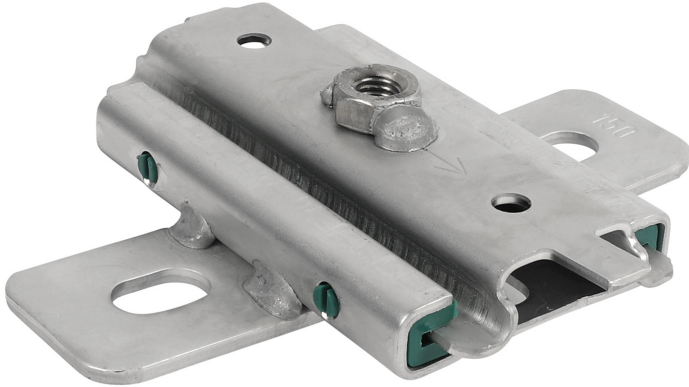


# BIS Stainless Steel Expansion Device (M10)

(M 19 05)

single expansion device for pipe extensions

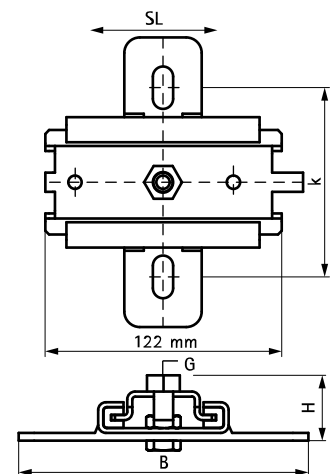


## Features and Benefits

- single bracket for pipe extensions
- suitable for ceiling mounting (suspended) and floor mounting (standing mounted)
- fix in combination with RapidStrut Rails and Cantilever arms or directly on the building structure
- can be combined with stainless steel pipe clamps M10
- metal parts made of stainless steel 1.4404; plastic parts made of PA (polyamide)
- friction coefficient  $\mu = 0.18$ ; Sliding friction coefficient  $\mu = 0.14$
- temperature resistance up to  $+120\text{ }^\circ\text{C}$

Part No.	Model	G	B (mm)	H (mm)	d1 (mm)	k (mm)	SL (max.) (mm)	F <sub>a,z</sub> (N)	F <sub>a,z 2</sub> (N)	Pack 1
6667410	Single	M10	150	46	20 x 12.5	100	80	2,300	2,300	10

*F<sub>a,z</sub> = standing mounted; F<sub>a,z 2</sub> = suspended.*



### Complementary

BIS Bifix® 1301 Stainless Steel  
Walraven RapidStrut® Stainless Steel Fixing Rail  
Walraven RapidRail® Stainless Steel Cantilever Arm

### Complementary

Walraven RapidStrut® Stainless Steel Slide Nut with Tabs  
BIS Strut Stainless Steel Tee-Bolt  
BIS Stainless Steel Hexagon Head Screw

### Alternative

BIS Slide Block GFRP (BUP1000)