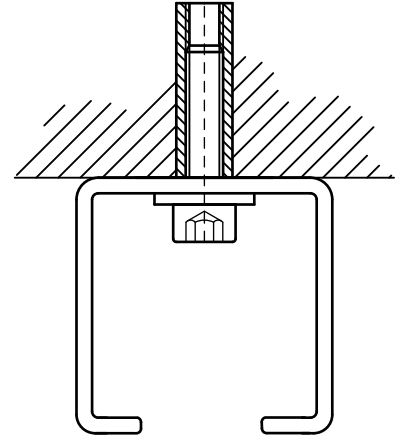


# BIS Socket Head Bolt (BUP1000)

(K 45 54)

fixing of rail

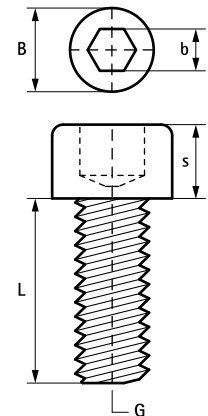


## Features and Benefits

- for fixing of fixing rail
- material: steel, strength class 8.8
- surface protection:
  - product is part of the Walraven BIS UltraProtect® 1000 system
  - suitable for in- and outdoor applications
  - stands min. 1,000 hours salt spray test (max. 5% red rust) according to ISO 9227
- according to ISO 4762

Part No.	G	L	B (mm)	b (mm)	s (mm)	Pack 1
61380825	M8	25 mm	13	6	8.0	200
61380860	M8	60 mm	13	6	8.0	200
61380880	M8	80 mm	13	6	8.0	100
61381025	M10	25 mm	16	8	10.0	200
61381030	M10	30 mm	16	8	10.0	200
61381230	M12	30 mm	18	10	12.0	100
61381260	M12	60 mm	18	10	12.0	100

*Required bolt or screw depends on rail hole pattern.*



### Complementary

- WDI1 Drop-in Anchor
- WDI1L Drop-in Anchor Lipped
- WDI1 Drop-in Anchor SSt

### Complementary

- WDI1 Setting Tool
- WBA Brass Anchor
- BIS Brass Wall Plug