

BIS Slide Nut 651D – WM3

(G 30 15)

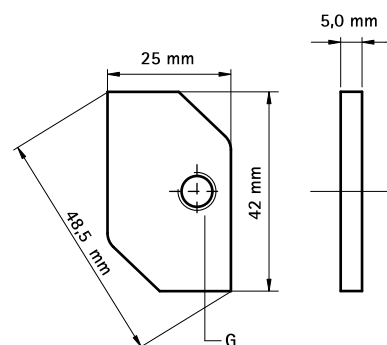
fixing to BIS WM3



Features and Benefits

- material: steel
- zinc plated

Part No.	G	For Rail	F _{a,z} (N)	Pack 1	Pack 2
6515008	M8	WM3	3,000	50	250
6515010	M10	WM3	3,000	50	250
6515012	M12	WM3	3,000	50	250



Complementary

- BIS Fixing Rail - WM3
- BIS Cantilever Arm - WM3 (BUP1000)