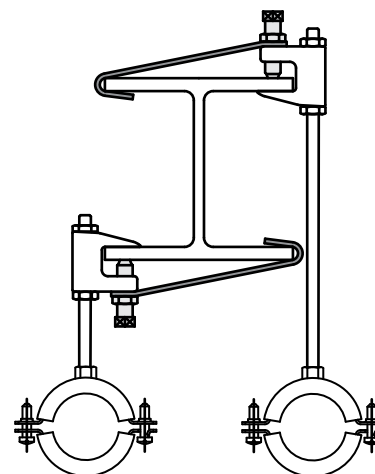
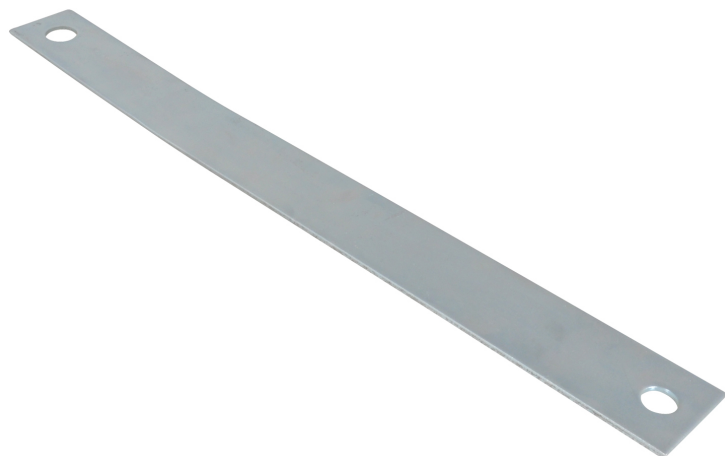


BIS Safety Strap for Beam Clamp Model C

(K 20 06)



Features and Benefits

- Safety Strap needs to be bent by hand
- material: steel
- pre-galvanized
- see also: BIS Beam Clamps Model C (page K 20 05)

Part No.	R	R2	L	B (mm)	Pack 1
6015110	Ø 10.5 mm	Ø 12.5 mm	350 mm	25	25
6015112	Ø 12.5 mm	Ø 16.5 mm	400 mm	40	25

