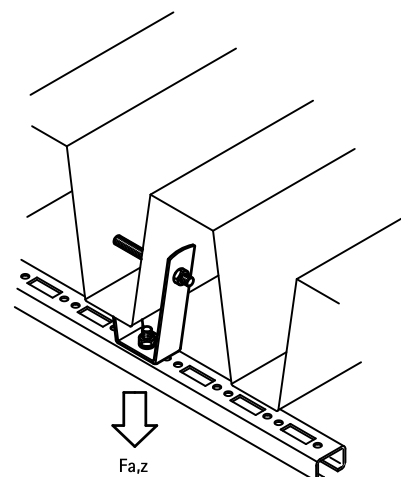


BIS Roofing Sheet Hanger (BUP1000)

(K 25 03)

fixing to profiled roofing sheet



Features and Benefits

- for mounting to profiled roofing sheet by means of pop rivets or threaded rod
- for applications in environments requiring increased corrosion resistance
- variable distance to roof hanger by using a threaded rod
- material: steel
- surface protection:
 - product is part of the Walraven BIS UltraProtect® 1000 system
 - suitable for in- and outdoor applications
 - stands min. 1,000 hours salt spray test (max. 5% red rust) according to ISO 9227

Part No.	G	F _{a,z} (N)	Pack 1
6785801	Ø 13.0 mm	2,300	50
<i>Maximum load (F_{a,z}) depends on the load capacity of the trapezium shaped roofing sheet. Before mounting, the roof load capacity has to be confirmed by a structural engineer.</i>			



Cert.Nr.
G 4070033

