

BIS Roofing Sheet Hanger

(K 25 07)

fixing to profiled roofing sheet

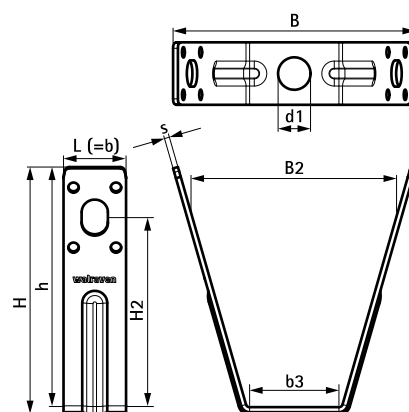


Features and Benefits

- for mounting to profiled roofing sheet by means of pop rivets or threaded rod
- material: steel
- pre-galvanized
- variable distance to roof hanger by using a threaded rod

Part No.	L	B	B2	b3	H	h	H2	b	s	d1	F _{a,z}	Pack 1
		(mm)	(mm)	(mm)	(mm)	(mm)	(mm)	(mm)	(mm)	(mm)	(N)	
6785101	25 mm	97	82	38	99	96	76	25	2	Ø 13.0	1,700	50

Maximum load (F_{a,z}) depends on the load capacity of the trapezium shaped roofing sheet. Before mounting, the roof load capacity has to be confirmed by a structural engineer.



Complementary
Walraven Threaded Rod