

# BIS RapidStrut® Slide Nut with Plastic Tabs (BUP1000)

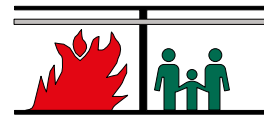
(H 24 35)

fixing to Strut rail



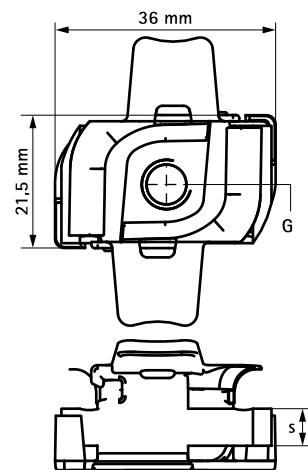
## Features and Benefits

- slide nut with plastic 'tabs'
- for all types of Strut Rail
- for tight fixing of accessories (e.g. connectors) on rail
- with plastic tabs which simplifies inserting and positioning
- material: slide nut made of steel 1.0332; tabs made of PP (polypropylene), green
- surface protection:
  - product is part of the BIS UltraProtect® 1000 system
  - suitable for in- and outdoor applications
  - stands min. 1,000 hours salt spray test (max. 5% red rust) according to ISO 9227
- tested for fire safety



Part No.	G	s (mm)	T <sub>(max.)</sub> (Nm)	For Rail	F <sub>a,z</sub> (N)	Pack 1
6518 6 8006	M6	5.0	7.5	Strut	5,300	100
6518 6 8008	M8	6.0	15.0	Strut	6,000	100
6518 6 8010	M10	8.0	15.0	Strut	9,500	100
6518 6 8012	M12	9.0	30.0	Strut	10,000	100

*M10 and above tested for fire safety.*



## Complementary

- BIS RapidStrut® Fixing Rail DS 5 (BUP1000)
- BIS RapidStrut® Cantilever Arm (BUP1000)

## Alternative

- BIS Strut Slide Nut (BUP1000)