

BIS RapidStrut® Slide Nut with Adapter MS (ZP)

(H 24 12)



66513116

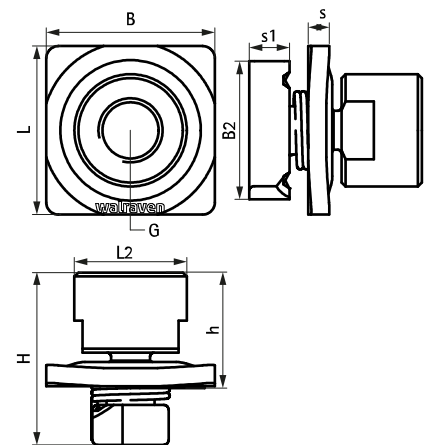
66513121

Features and Benefits

- slide nut with adapter, washer and metal spring
 - to connect clamps with M16 or 1/2" nut to Strut rails
 - ready-to-use pre-assembled for a quick fixing, and retains assembly in place before final tightening
 - solid washer for strong connection
 - robust since completely made from metal
- material: steel
 - zinc plated

Part No.	G	L	L2	B	B2	H	h	s	s1	T _{inst}	For Rail	F _{a,z}	F _{a,x}	Pack 1
			(mm)	(mm)	(mm)	(mm)	(mm)	(mm)	(mm)	(Nm)		(N)	(N)	
66513116	M16	43 mm	19 mm	43	34	43	26	4.0	8.0	40.0	Strut	5,000	2,790	25
66513121	1/2"	43 mm	19 mm	43	34	43	26	4.0	8.0	40.0	Strut	5,000	2,790	25

*Tested values in combination with BIS RapidStrut® Rail 41x41x2.5mm.
More details can be found on the Technical Datasheet.*



Complementary

- BIS RapidStrut® Fixing Rail (pg)
- BIS RapidStrut® Cantilever Arm (BUP1000)

Alternative

- BIS RapidStrut® Slide Nut G2 (BUP1000)
- BIS RapidStrut® Slide Nut with Plastic Tabs (zp)