

BIS RapidStrut® Fixing Rail DS 5 (BUP1000)

(H 04 05)

suspension and support

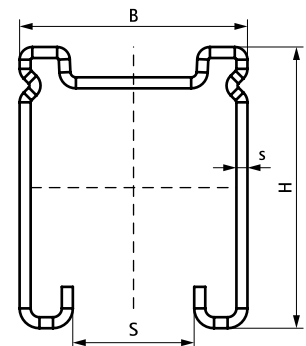


Features and Benefits

- for a quick and easy fixing
- unique hole pattern, allowing BIS RapidStrut® Accessories to be mounted on both sides of the rail
- very high corrosion resistance (BIS UltraProtect® 1000)
- corrosion protection remains intact after cutting
- strength minimal equal to Strut 41x41x2.5 mm
- with continuous perforation
- distance between rail end and first hole is always equal
- a continuous graduated centimetre scale on one side
- material: steel 1.0242
- surface protection:
 - product is part of the BIS UltraProtect® 1000 system
 - suitable for in- and outdoor applications
 - stands min. 1,000 hours salt spray test (max. 5% red rust) according to ISO 9227
- for more information about the max. allowed load ($F_{a,z}$) please refer to the loading tables or our online datasheet 'Technical Details BIS RapidStrut®'

Part No.	L	B	H	s	S	BndS	BndL	App.
		(mm)	(mm)	(mm)	(mm)			
6505 8 252	2 m	41	51	2.0	22	20	80	m.
6505 8 352	3 m	41	51	2.0	22	30	120	m.
6505 8 652	6 m	41	51	2.0	22	60	240	m.

For more information about the max. allowed load ($F_{a,z}$) please refer to the loading tables or our online datasheet 'Technical Details BIS RapidStrut®'.



Complementary

- BIS RapidStrut® Hammerfix G2 (BUP1000)
- BIS RapidStrut® Rail Connector 90° G2 (BUP1000)
- BIS RapidStrut® Rail Connector 135° G2 (BUP1000)

Complementary

- BIS RapidStrut® Rail Connector G2 (BUP1000)
- BIS RapidStrut® Rail Connector - BIS RapidStrut® Rail